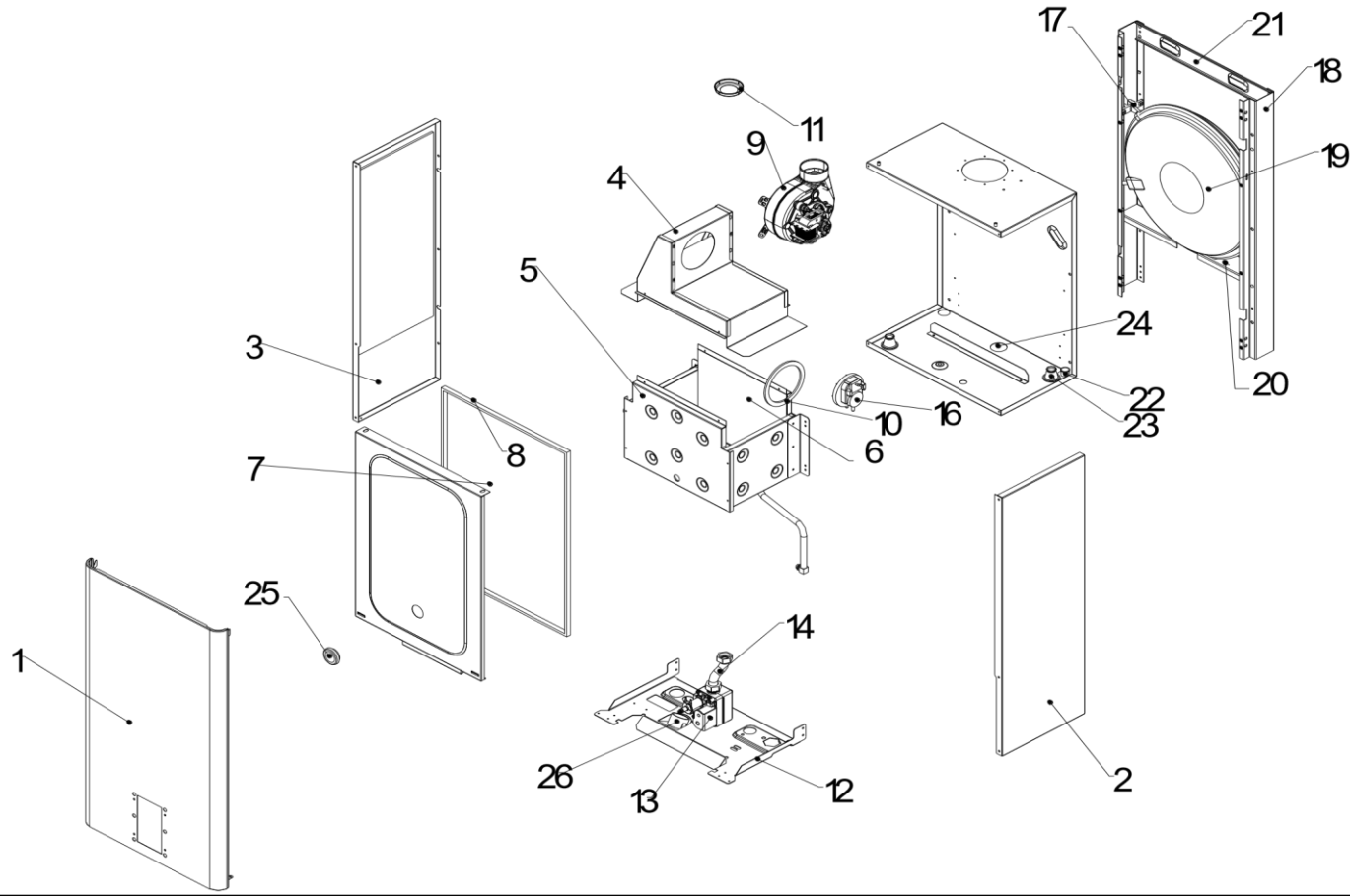


Spare parts list  
series FEDERICA ECO  
Edition 02/2017



SERIAL NUMBER FORMAT :	<u>529811xxxxxxx</u>		
MODEL NAME :	<u>WE4CED024AATR</u>		
UNIT	<u>ASSEMBLY GROUP</u>		
<b>SPARE PART LIST</b>			
DRAWING NO	CODE	FACTORY CODE	DESCRIPTION
1	3000000526	H3202030932000	FRONT COVER SHEET METAL PAINTED
2	7022040005	H3201030021000	SIDE PLATE ASSY(SHEET METAL) (RIGHT)
3	7022220005	H3201030041000	SIDE PLATE ASSY(SHEET METAL) (LEFT)
4	7020580015	H3201090071000	HOOD ASSY (KM1-24CE)
5	7022500024	H3201090081000	COMBUSTION CHAMBER MONOTHERMIC
6.1	7022510035	H3101090162010	COMBUSTION CHAMBER BACK INSULATION PLATE
6.2	7022510036	H3101090152010	COMBUSTION CHAMBER FRONT INSULATION PLATE
6.3	7022510037	H3101090142010	COMBUSTION CHAMBER SIDE INSULATION PLATE
7	7021070007	H3202030072000	HERMETIC CABIN COVER
8	7020010231	H3101090062010	HERMETIC CABIN COVER GASKET
9	7020830021	H3101091254010	FAN LN 30W (W960258050)
9.1	7020830025	H3101100442010	LN FAN PROBE 6.00x21.2 (30W FAN-N991001150)
10	7020010226	H3101090042010	FAN GASKET
11	7021950009	H3101030132010	FLUE GAS LIMITTER Ø 42
12			SEE:WATER GROUP
13			SEE: WATER GROUP
14	7020910021	H3101090282010	GAS VALVE PIPE
15	7021080002	H3202030392000	HERMETIC CABIN MANOTHERMIC
16	7021940011	H3101091294010	PROSESTAT 50/40 Y 605.99919
17	3000000106	H3101061512010	EXPANSION VESSEL PLASTIC CLAMP
18	7020140002	H3202030182000	BACK CHASSIS PAINTED
19	7020940012	H3101080254010	EXPANSION VESSEL
20	7020970004	H3202030222000	EXPANSION VESSEL CONNECTING SHEET METAL
21	7020160004	H3202030232000	BRACKET SHEET METAL
22	7021210008	H3101090112010	CABLE TRANSANSITION RUBBER D15-Y
23	7020010307	H3101090092010	PIPE TRANSITION RUBBER 18MM
24	7020930004	H3101090072010	GAS VALVE PIPE TRANSITION RUBBER
25	7020010228	H3101090412010	SILICON
26	7021170015	H3101080402010	MANOMETER

EXPLODED DRAWING

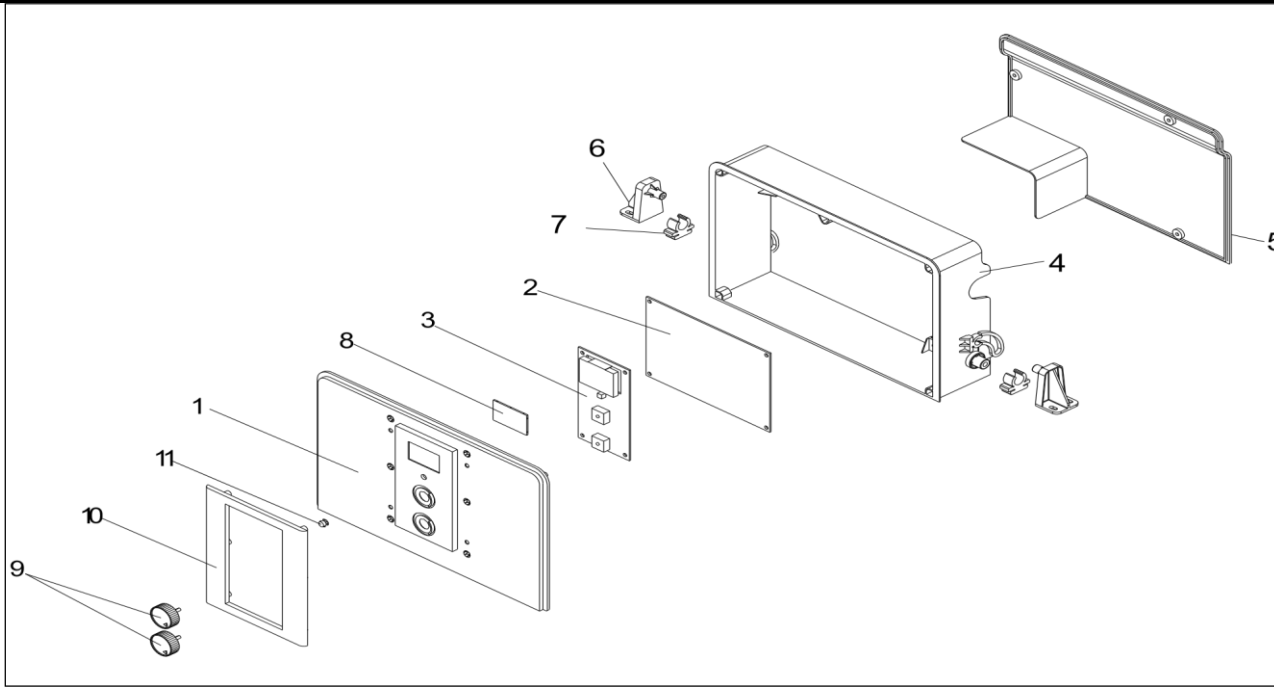


MODEL NAME :	<u>WE4CED024AATR</u>
UNIT:	<u>PANEL GROUP</u>

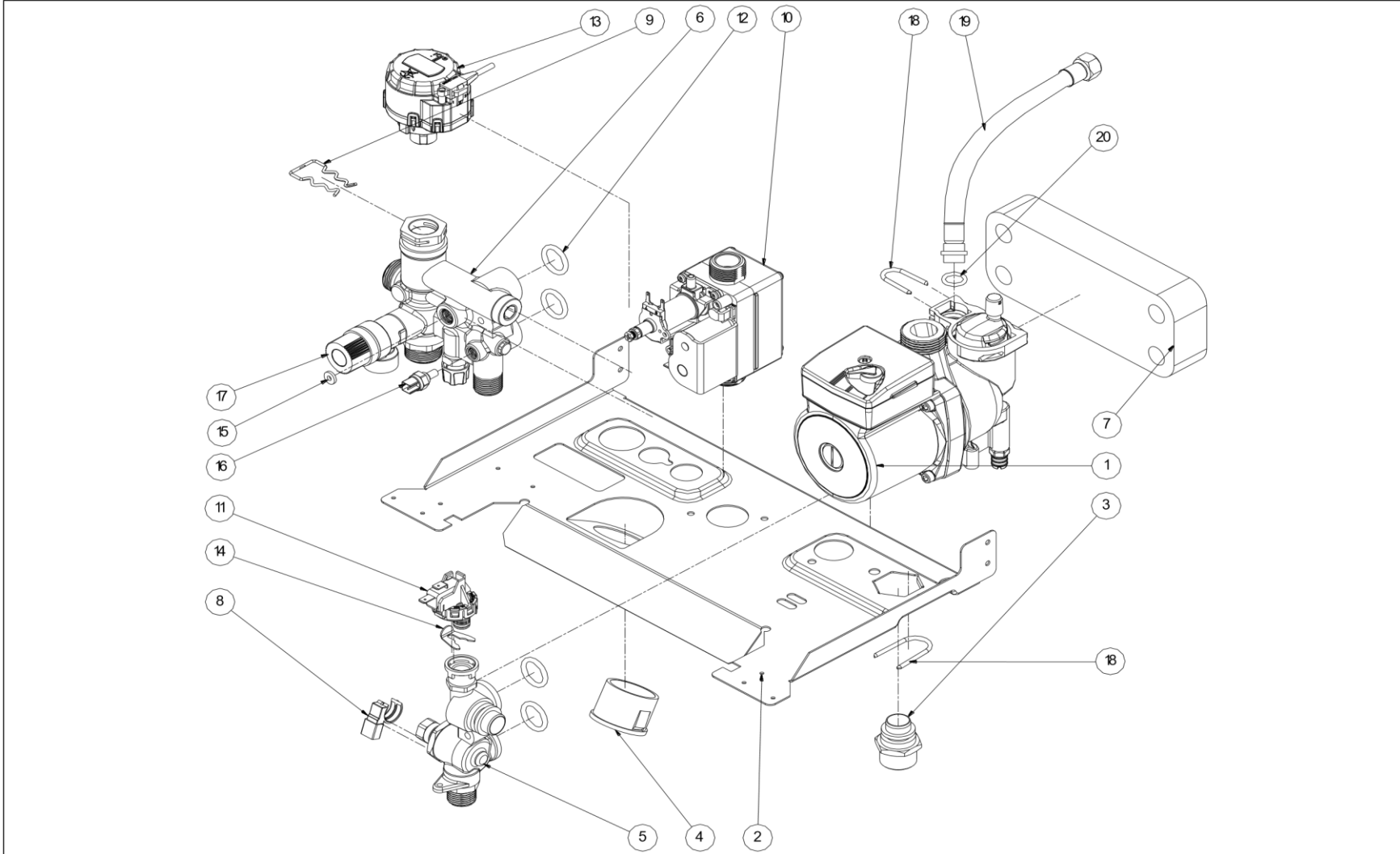
SPARE PART LIST

DRAWING NO	CODE	FACTORY CODE	DESCRIPTION
1	3000000529	H3101060512010	PLASTIC FRONT PANEL-WHITE
2	7020130027	H3101060812010	MAINBOARD
3	7020130028	H3101060612010	ELECTRONIC LCD CARD
4	7020740005	H3101060032010	PANEL BODY
5	7020760011	H3101060042010	PANEL BACK COVER
6	7022610002	H3101060012010	PANEL CONSOLE FEATHER
7	7022620002	H3101060062010	PANEL CONSOLE PIN SLOT
8	3000000530	H3101060542010	LCD TRANSPARENT GLASS
9	3000000531	H3101060532010	POTATIOMETER BUTTON WHITE
10	3000000532	H3101060522010	PLASTIC FRONT FRAME- BLACK
11	3000000533	H3101060552010	RESET BUTTON - BLACK
12	3000000707	H3102042182010	WEILI BRAND TAG

EXPLODED DRAWING

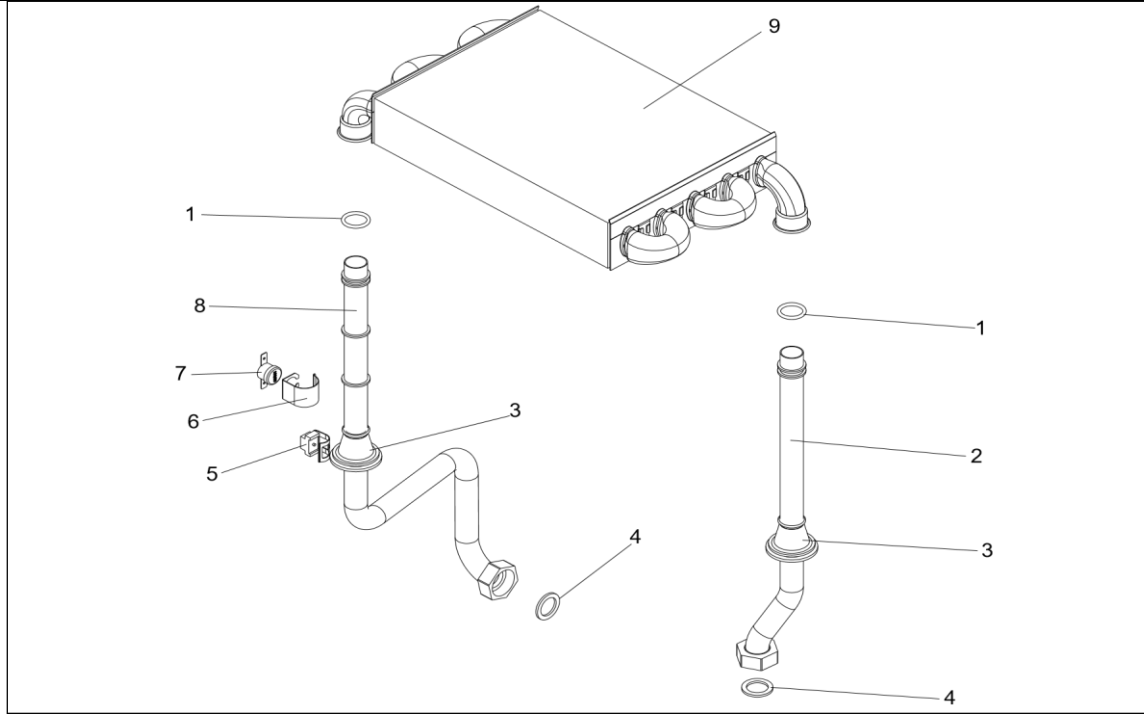


<b>MODEL NAME :</b>	<u>WE4CED024AATR</u>		
<b>UNIT:</b>	<u>HYDROLIC GROUP</u>		
<b>SPARE PART LIST</b>			
<b>DRAWING NO</b>	<b>CODE</b>	<b>FACTORY CODE</b>	<b>DESCRIPTION</b>
1	7021890026	H3101081204010	PUMP CAOD UPSO 15/60 MOLEX H12
2	7020100019	H3202030722000	BOTTOM CONSOLE SHEET METAL(PAKKENS)
3	7020340007	H3101080982010	PUMP CAOD NIPPLE 3/4"
4	7021170015	H3101080402010	MANOMETER
5	7020680013	H3101081382010	INLET HYDOBLOCK AND FLOW SENSOR ASSY.
6	7022020018	H3101081792010	OUTPUT HYDOBLOCK AND 3 WAY VALVE CONNECTION GROUP _P_MANOMETER (1536200000)
7	7021820018	H3101081334010	PLATE HEAT EXCHANGER
8	7021630032	H3101081224010	FLOW SENSOR_P (1500000019)
9	7020340010	H3101081012010	3 WAY VALVE MOTOR CLAMP
10	7020920026	H3101061194010	GAS VALVE SIT(SIGMA S45)
11	7021940009	H3101080213020	PRESSURE SWITCH (EL-BI)-(BITRON)
12	7020010305	H3101080432010	O-RING 18,64x3,53 NBR70 (PLATE HEAT EXCHANGER )
13	7022420004	H3101081394010	3 WAY VALVE MOTOR (new type)
14	7021370097	H3101050012010	CLIPS D10
15	7020010207	H3101080042010	2x4x10,5 mm KLINGRIT GASKET
16	7021630031	H3101060422010	IMMERSION NTC SENSOR (Honeywell SO11021)
17	7020780010	H3101080274010	SAFETY VALVE
18	7020340009	H3101081002010	RETURN HYDOBLOCK CLIPS Ø 3
19	7020950014	H3101081182010	EXPANSION VESSEL FLEKSI-PAKKENS
20	7020010221	H3101081452010	13,10X2,62 NBR70 O_RING
21	7020340008	H3101080992010	PUMP NIPPLE CLIPS



MODEL NAME :		<u>WE4CED024AATR</u>	
UNIT:		<u>HEAT EXCHANGER GROUP</u>	
SPARE PART LIST			
DRAWING NO	CODE	FACTORY CODE	DESCRIPTION
4-5	7020010310	H3101080062010	O-RING 17x2,65-N NBR 70
2	7022100006	H3101081412010	MANOTHERMIC RADIATOR RETURN PIPE_P
3	7020010307	H3101090092010	PIPE TRANSITION RUBBER D18
4	7020010208	H3101080032010	1.90x18.40x11.00 mm KLINGRIT GASKET
5	7021630012	H3101060174010	SURFACE NTC SENSOR QAR 36.430/109
6	7021500007	H3101050244010	CLIP FOR LIMIT SENSOR
7	7021500008	H3101060104010	LIMIT THERMOSTAT
8	7022100007	H3101081422010	MANOTHERMIC RADIATOR OUTPUT PIPE_P
9	7020120028	H3101080324010	HEAT EXCHANGER MANOTHERMIC GQ-PRB11870

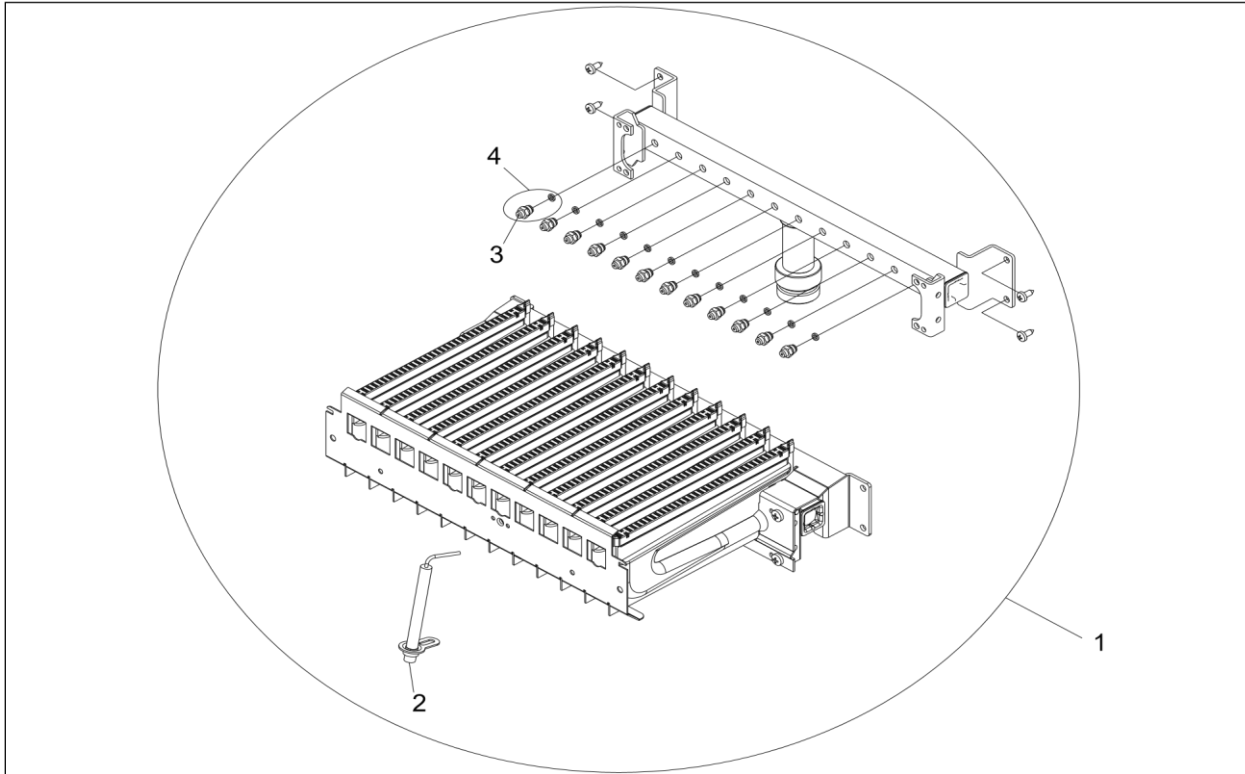






MODEL NAME :	<u>WE4CED024AATR</u>		
UNIT:	<u>BURNER GROUP</u>		
SPARE PART LIST			
DRAWING NO	CODE	FACTORY CODE	DESCRIPTION
1	7020450014	H3101090234010	BURNER NPS 130 (606.1574.02)
2	7020180010	H3101090182010	IGNITION ELECTRODE
3	7020700015	H3201100021000	DG TRANSFORMATION SET 24
4	7021510012	H3101070212010	LPG CONVERTING SET 24 kw (Ø 0,77) (12 PIECES )

EXPLODED DRAWING



MODEL NAME :		<u>WE4CED024AATR</u>	
UNIT:		<u>CABLE GROUPS</u>	
SPARE PART LIST			
DRAWING NO	DAIKIN CODE	FACTORY CODE	DESCRIPTION
1	-	H3101100452010	DIGIFEL A5/A7 SOCKET CABLE (Fan + Power 220 V)
2	-	H3101100472010	DIGIFEL A10 (Flow Sensor) SOCKET CABLE
3	-	H3101100462010	Digifel A10 (Flow Sensor) SOCKET CABLE
4	-	H3101100522010	DIGIFEL A8 SOCKET CABLE( 3 way motor cable)
5	-	H3101100482010	DIGIFEL A3 SOCKET CABLE
6	-	H3101100492010	DIGIFEL A4 SOCKET CABLE
7	-	H3101100502010	DIGIFEL A2 SOCKET CABLE
8	-	H3101100512010	DIGIFEL A6 (GAS VALVE)SOCKET CABLE
	7021220044	H3101061242010	CABLE GROUP MANOTHERMIC (NEW TYPE)

**EXPLODED DRAWING**

